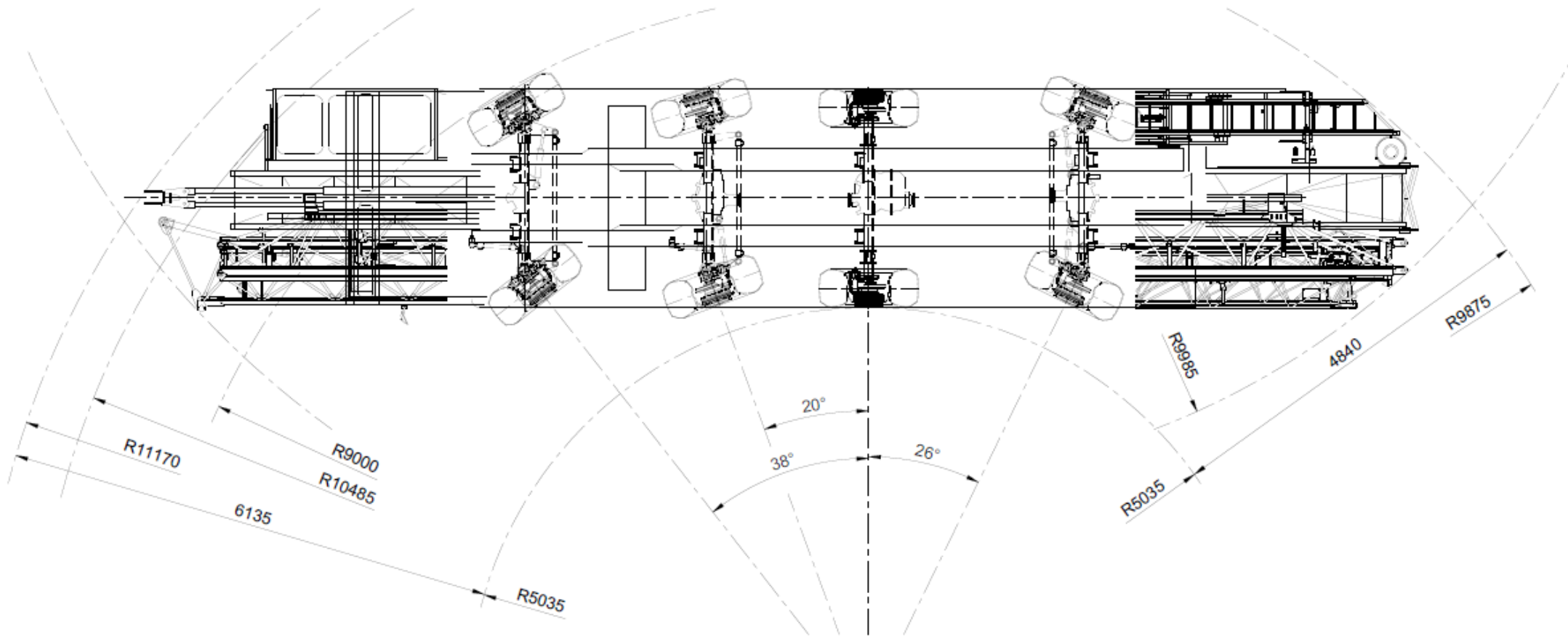
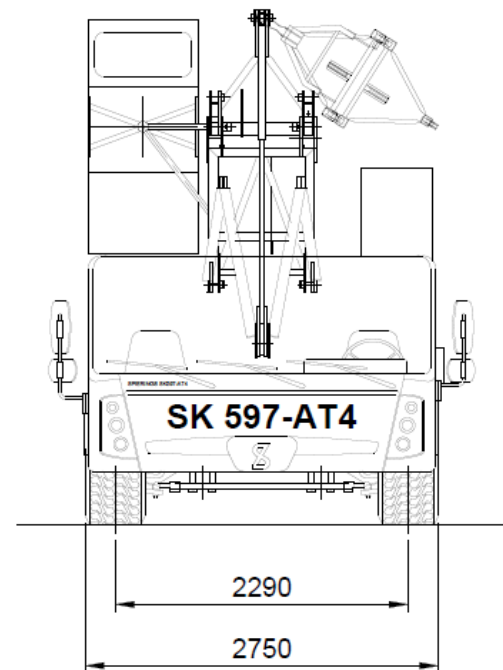
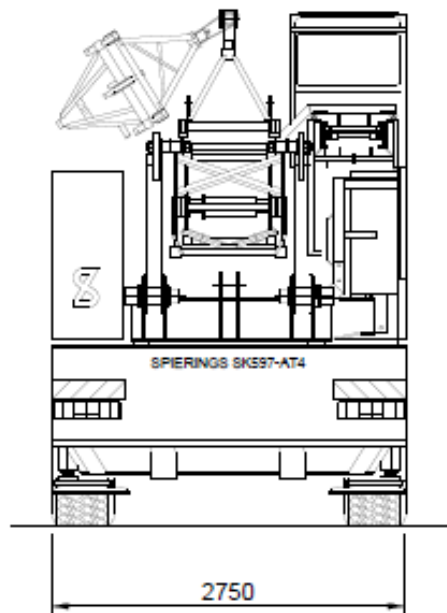
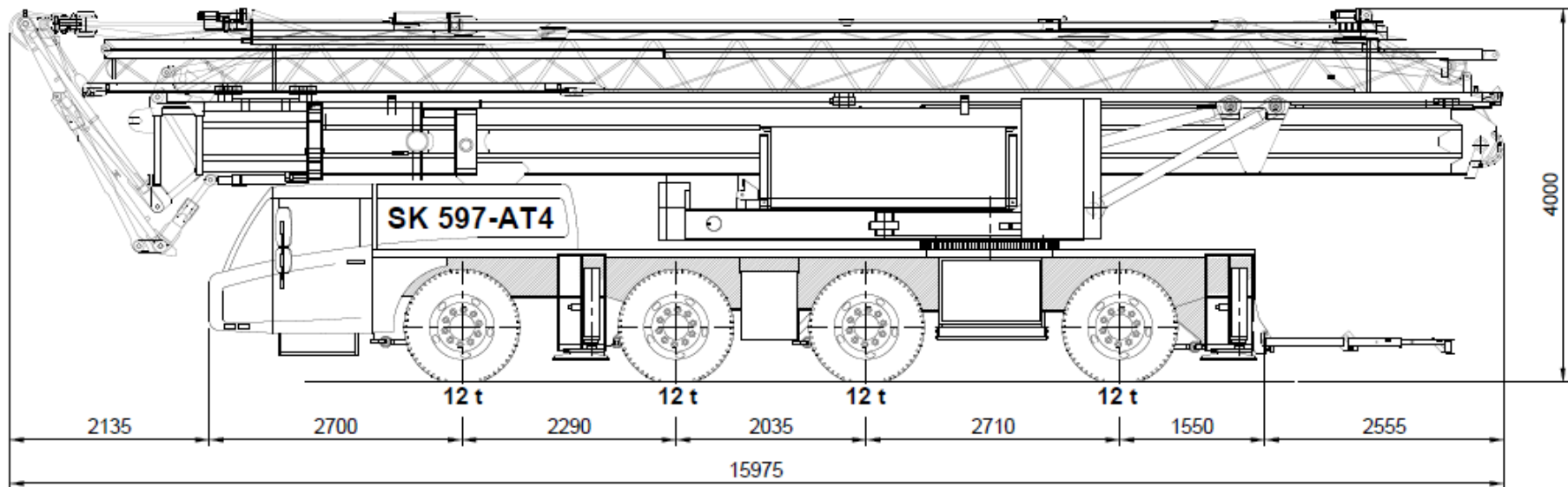


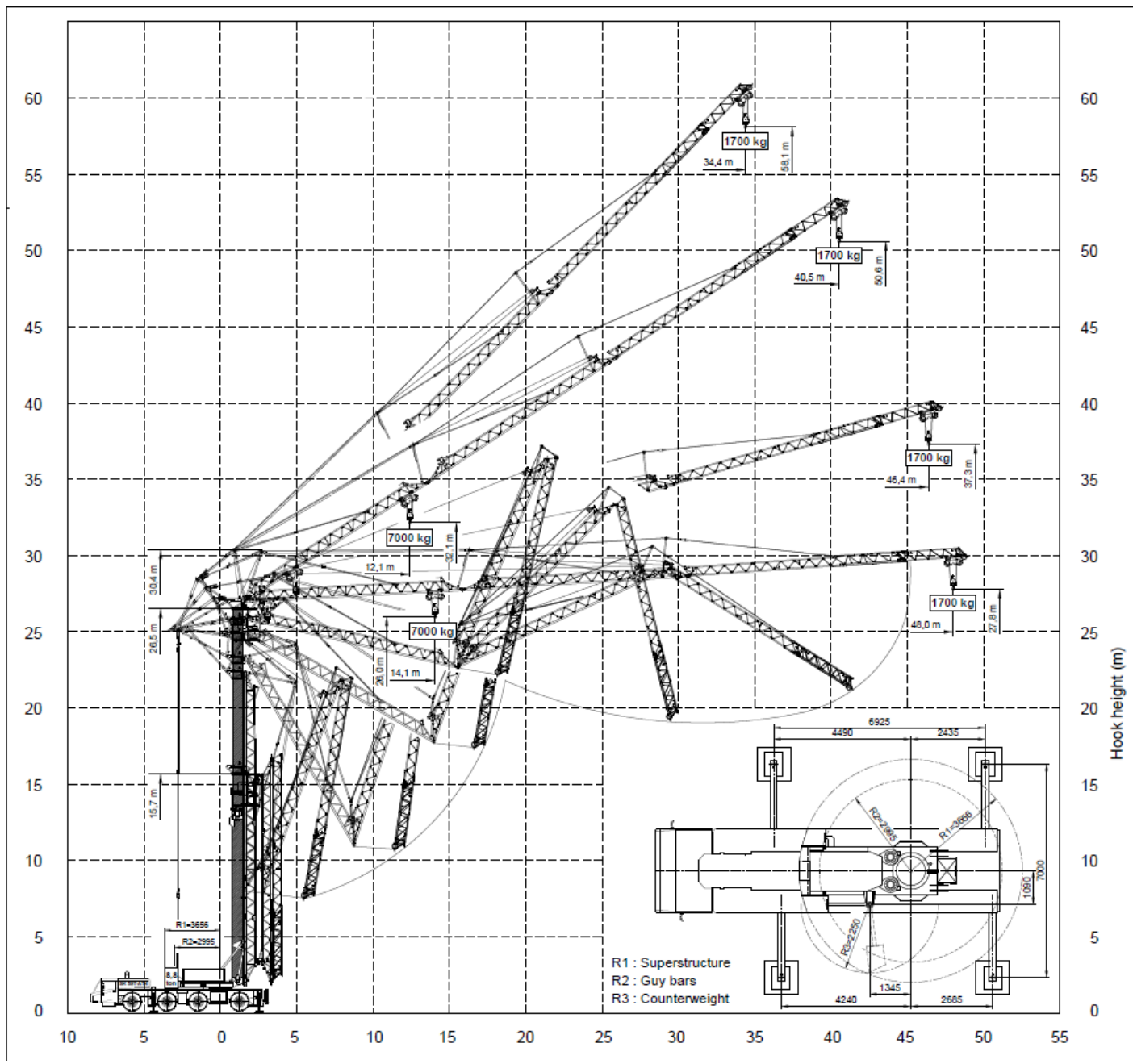
## FICHE TECHNIQUE Grue SK48

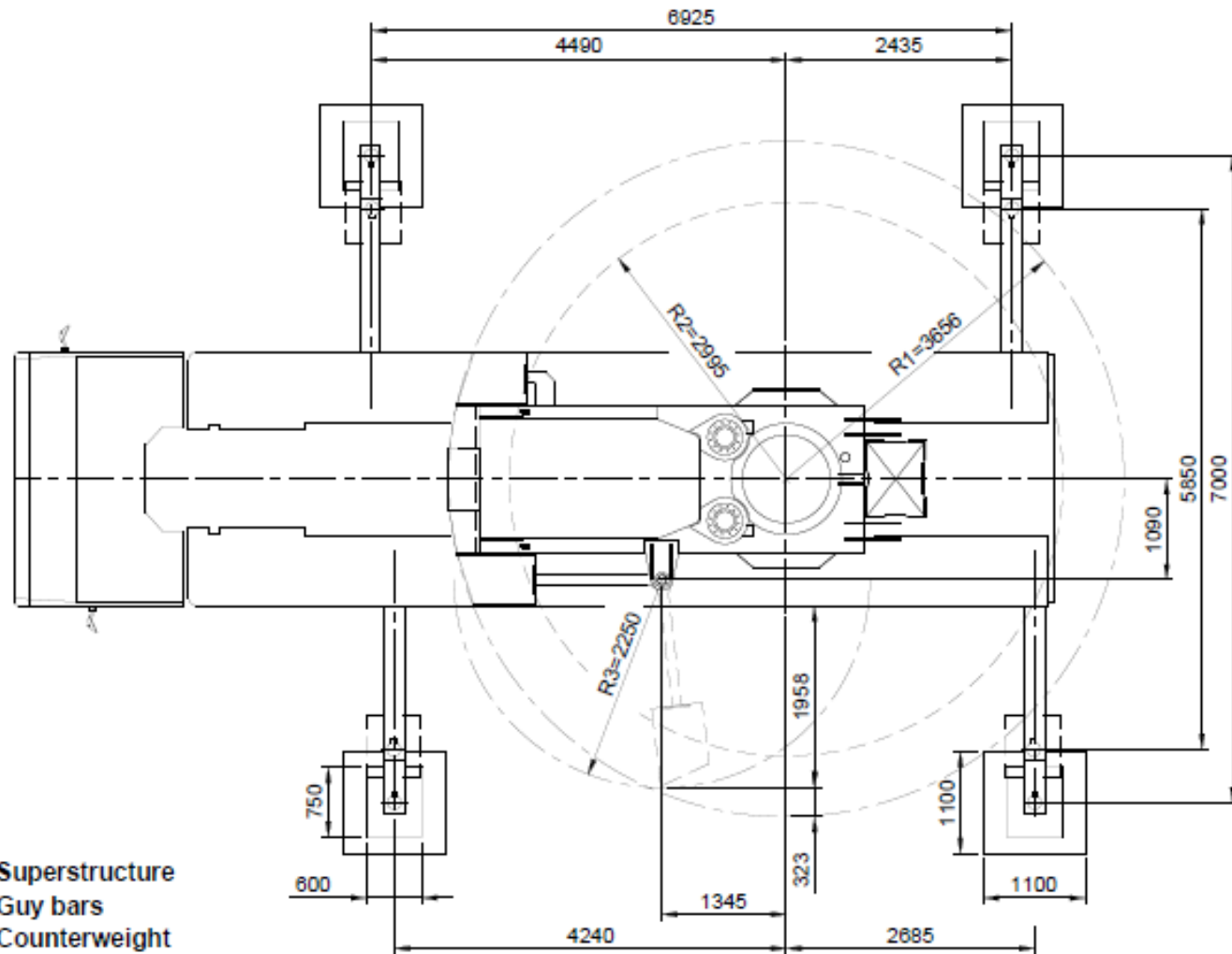


Overall weight: 48000 kg



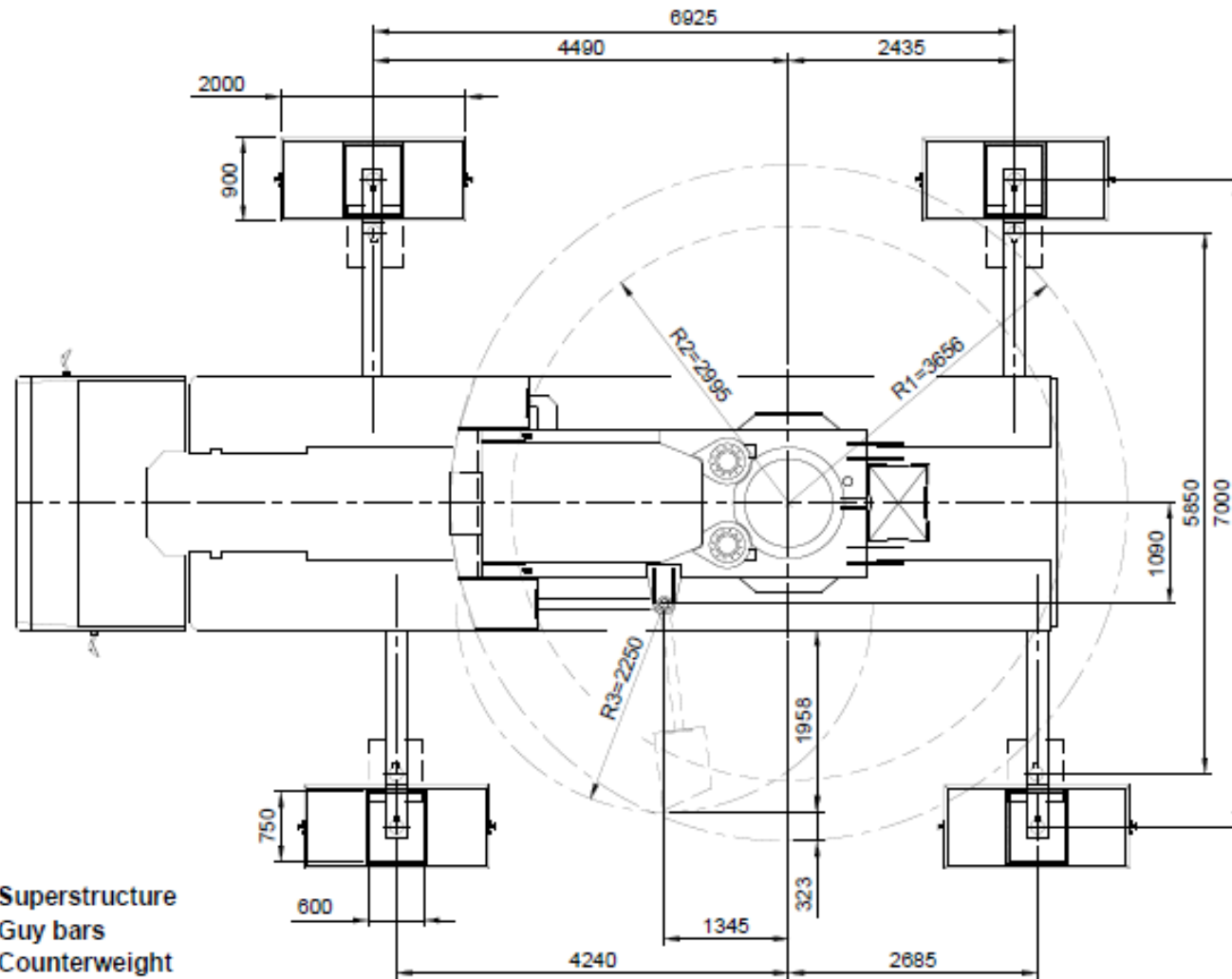






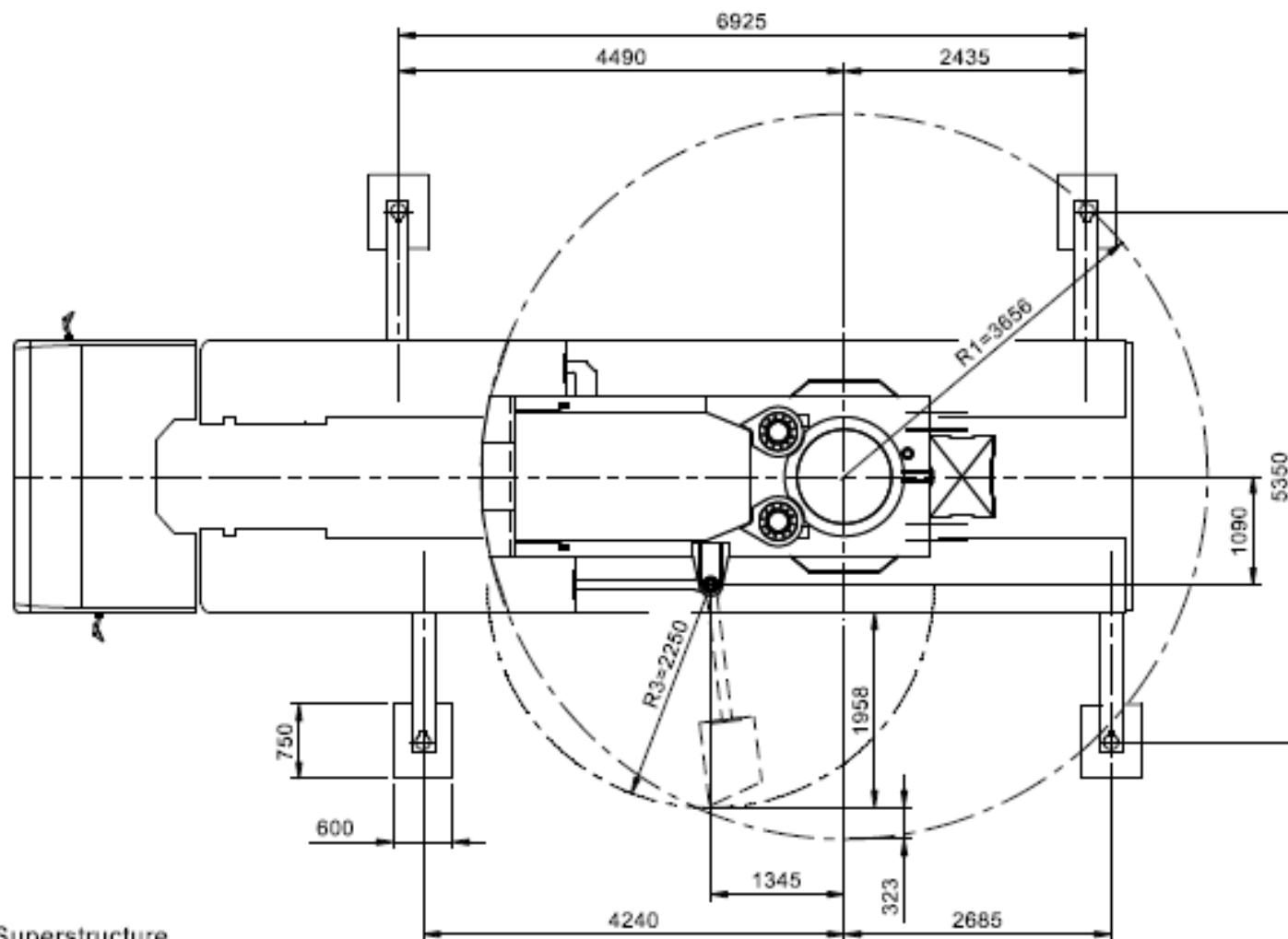
R1 : Superstructure  
R2 : Guy bars  
R3 : Counterweight

Outrigger support base	
Max. outrigger force	360 kN
Outrigger support pads	750x600 mm
Ground pressure	0,80 N/mm <sup>2</sup>
Outrigger support plates	1100x1100 mm
Surface	1,21 m <sup>2</sup>
Ground pressure	0,30 N/mm <sup>2</sup>



R1 : Superstructure  
 R2 : Guy bars  
 R3 : Counterweight

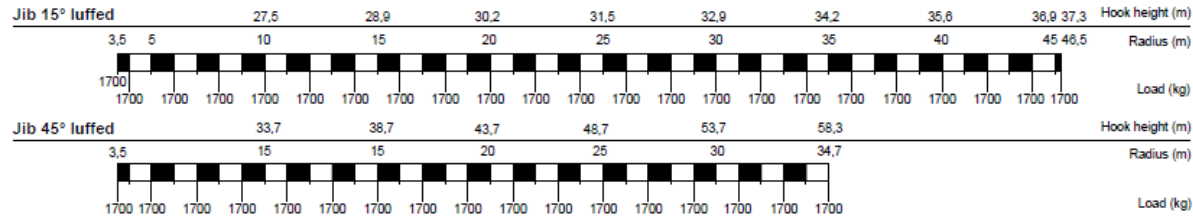
Outrigger support base	
Max. outrigger force	360 kN
Outrigger support pads	750x600 mm
Ground pressure	0,80 N/mm <sup>2</sup>
Outrigger support plates	2000x900 mm
Surface	1,8 m <sup>2</sup>
Ground pressure	0,20 N/mm <sup>2</sup>



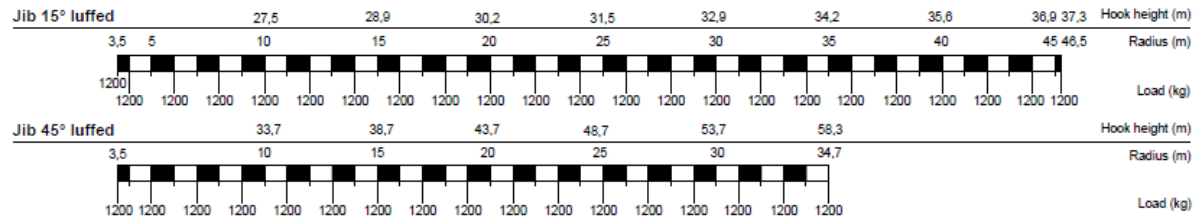
R1 : Superstructure  
R3 : Counterweight



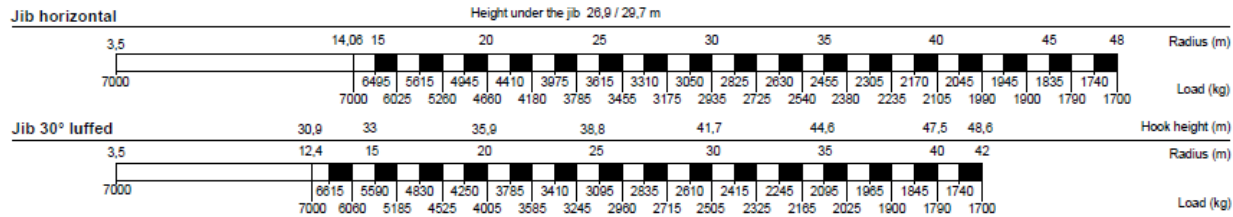
### Lifting chart outrigger support base 6,925 m x 7,0 m



### Lifting chart outrigger support base 6,925 m x 5,85 m



### Lifting chart outrigger support base 6,925 m x 7,0 m



### Lifting chart outrigger support base 6,925 m x 5,85 m

